

NVR

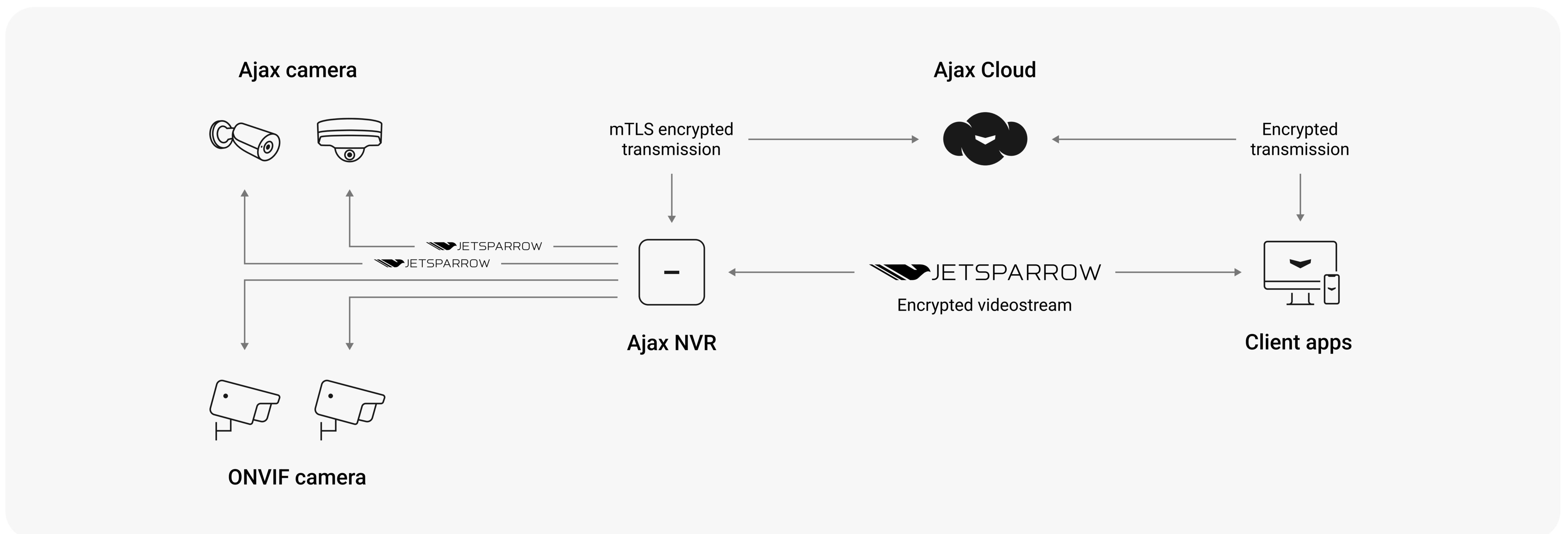
Network video recorder

Product versions	
NVR (8-ch) Network video recorder for 8 channels	NVR (16-ch) Network video recorder for 16 channels
NVR DC (8-ch) Network video recorder for 8 channels, powered by a low-voltage power supply	NVR DC (16-ch) Network video recorder for 16 channels, powered by a low-voltage power supply



How it works

NVR enables third-party IP cameras to operate within Ajax video management software (VMS), making them a valuable addition to an Ajax system. NVR operates seamlessly by utilizing Ajax Cloud for transmitting system events, while its proprietary JetSparrow technology ensures fast peer-to-peer transmission of video data.



Smooth archive navigation

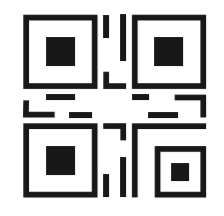
- Peer-to-peer streaming
- Instant live view
- Fast archive navigation with filters and calendar
- Dual streaming for instant preview
- Video clip export in a few clicks

Seamless user experience

- High-resolution visual verification for alarms with video scenarios
- Easy transition from notifications feed to on-site video recordings
- Cameras synchronization with security modes
- Real-time oversight with a customizable Video wall

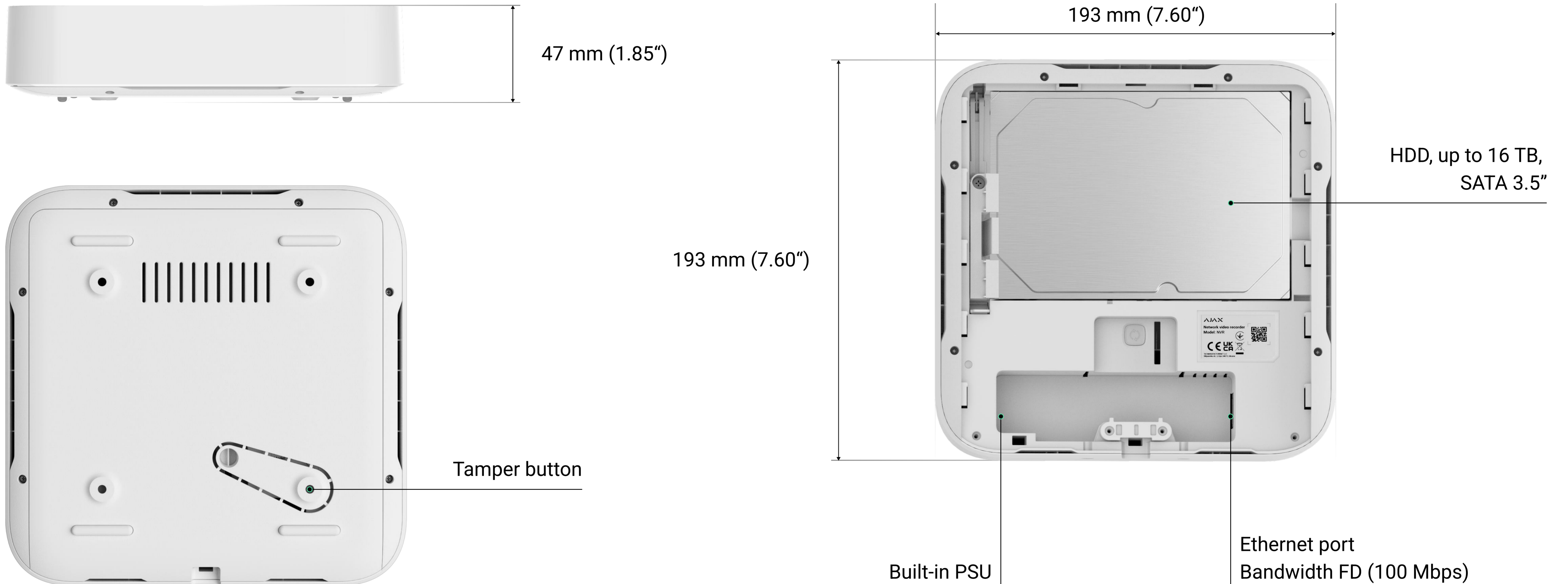
Uncompromising security and privacy

- Video stream with TLS encryption
- mTLS handshake between Ajax Cloud and NVR
- Real-time privacy control via the apps
- Account security with passcodes, biometrics, and two-factor authentication
- Session control for added protection
- Owner-only access to media data recorded on the hard drive¹
- Tamper notification of dismantling
- NDAA compliance



Easy installation and maintenance

- SmartBracket for fast and secure installation
- Connection via QR code
- Configuration via Ajax apps
- Auto-search for available cameras on the local network
- Adjustable motion detection zones available in the apps
- Real-time NVR health monitoring, including HDD statuses



<p>Compatibility</p> <p>Hubs All Ajax hubs (up to 14 NVRs in one Ajax system)</p>	<p>Video stream</p> <p>Resolution up to 4K (25/30 fps)</p> <p>Decoding formats H.265/H.264</p> <p>Bandwidth FD (100 Mbps)</p>	<p>Power supply</p> <p>For NVR (8-ch) and NVR (16-ch)</p> <ul style="list-style-type: none"> • Built-in PSU 110–240 V~, 50/60Hz, 0.6 A • Up to 24 W of power consumption • CR2032 3 V system clock battery <p>For NVR DC (8-ch) and NVR DC (16-ch)</p> <ul style="list-style-type: none"> • Built-in PSU 9–16 V= • Up to 24 W of power consumption • CR2032 3 V system clock battery 	
<p>Operating conditions</p> <p>Temperature range from 0 °C to +40 °C from 14 °F to 104 °F</p> <p>Humidity up to 75%</p>	<p>Weight</p> <p>NVR (8-ch) and NVR (16-ch) 614.5 g 21.67 oz</p> <p>NVR DC (8-ch) and NVR DC (16-ch) 583 g 20.56 oz</p>	<p>Complete set</p> <p>NVR (8-ch) and NVR (16-ch)</p> <ul style="list-style-type: none"> • NVR • SmartBracket mounting panel • Power cable • Ethernet cable • Installation kit • Quick start guide <p>NVR DC (8-ch) and NVR DC (16-ch)</p> <ul style="list-style-type: none"> • NVR • SmartBracket mounting panel • Ethernet cable • Installation kit • Quick start guide 	
<p>Protection class</p> <p>IP20</p>	<p>Color</p> <p>white, black</p>		

¹ Hard drives with a power consumption of no more than 7 W are used.



For detailed information, scan the QR code or follow the link:

ajax.systems/support/devices/nvr/

- ✉ support@ajax.systems
- 📍 @AjaxSystemsSupport_Bot
- 🌐 ajax.systems